

EMC COMPONENTS COMMON-MODE CHOKE COILS FOR SIGNAL LINE

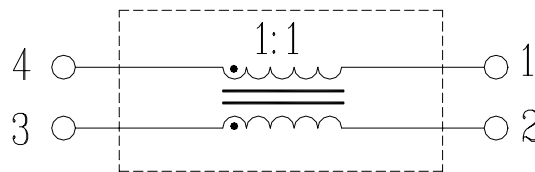
P/N: BCM-5120 DATA SHEET

Feature

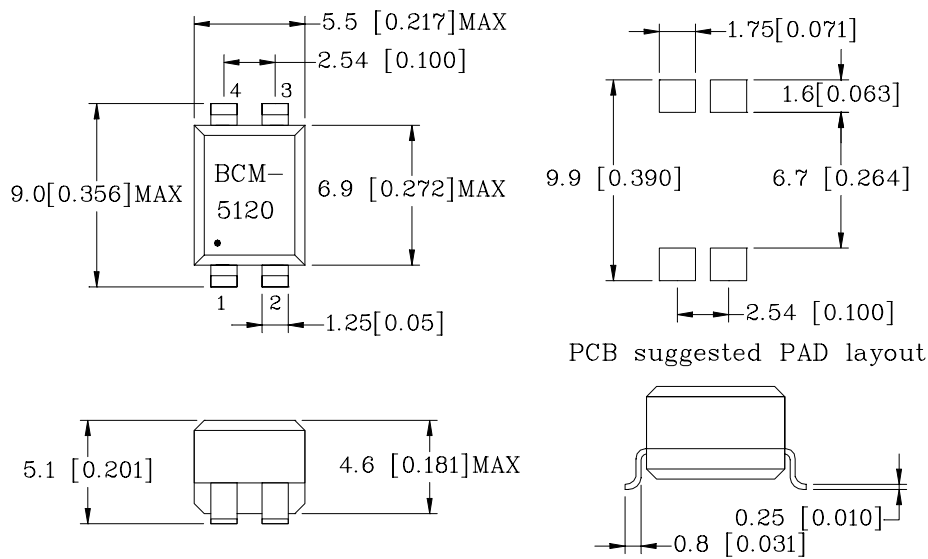
- A common-mode filter for distortion-free noise removal from transmitted signals. Optimized for transmission of high quality signals.
- Best filter for countering the common-mode noise resulting from data signal processing by PCs, phone equipment, etc.
- SMD-type designed for surface mounting.
- Due to a maximum current tolerance of 5A, can also be used to counter power line noise.
- Operating temperature range: -25°C to +85°C

Electrical Specifications@25°C						
Part Number	Rated voltage Edc(V)	Rated current(A)	Test voltage Edc(V) [Between terminals for 5 ns]	Insulation resistance (MΩ Min) [Between terminals at DC. 50V for 1 min]	DCR (Ω Max) [Each line]	Impedance (Ω Min) [+5 to +35□] [20 to 300 MHz]
BCM-5120	50	2.0	125	100	0.06	200

Schematic



Mechanical



Units: mm [Inches] Tolerances: 0.x ±0.25 [0.01]
0.xx ±0.05 [0.002]